

Swivel Inlet Check Valves for EPA Compliant Fuel Systems Perko Series 0584S0A for Aluminum Tanks

INSTALLATION INSTRUCTIONS PLEASE READ ALL INSTRUCTIONS BEFORE PROCEEDING

These valves are for use on fuel tanks to comply with the CARB and EPA standards and meet the requirements of U.S.C.G. Safety Standards (July 31, 2011) for 40 CFR Parts 9, 60, 80 et al. (Control of Diurnal Emissions From Nonroad Spark-Ignition Engines and Equipment). **Note: Inspect valve fitting and snap ring annually for corrosion, replace if necessary.**

Series 0584S0A Inlet Check Valves (ICV), (0°, 45° & 90°)

1. These valves are designed to mount on aluminum surfaces.
2. Select your mounting location. Drill 2-1/4" diameter hole for valve receiver.
3. Weld the receiver to the tank
4. Slide the valve into receiver and orient hose barb in the direction of the vent line. Attach locking snap ring to hold valve in the receiver.
5. Attach 1-1/2" fill hose onto hose barb and tighten using hose clamps in accordance with ABYC Fuel System Vent Hose Clamping Standards (H24 Table 3).



Fig. 0584S0000A



Fig. 0584S4500A

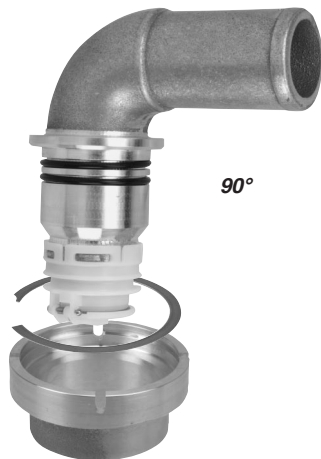


Fig. 0584S9000A

*The above referenced standards can be obtained from:

- (1). American Boat & Yacht Council, Inc.
613 Third Street, Suite 10
Annapolis, MD 21403
- (2) U.S. Coast Guard
Washington, D.C. 20593
(or your local C.G. office)

- (3). E.P.A.
401 "M" Street S.W.
Washington, D.C. 20460

INSTALLATION INSTRUCTIONS

PLEASE READ ALL INSTRUCTIONS BEFORE PROCEEDING

These valves are for use on fuel tanks to comply with the CARB and EPA standards and meet the requirements of U.S.C.G. Safety Standards (July 31, 2011) for 40 CFR Parts 9, 60, 80 et al. (Control of Diurnal Emissions From Nonroad Spark-Ignition Engines and Equipment). **Note: Inspect valve fitting and snap ring annually for corrosion, replace if necessary.**

These valves and receivers shown below are designed to be permanently molded into polymer tank surfaces when the tank is manufactured.

Series 0584S0P - Inlet Check Valves (ICV) (0°, 45° & 90°)

1. Select your mounting location for valve receiver.
2. Mold the receiver into the tank and thread jam nut onto receiver and tighten.
3. Slide the valve into receiver and orient hose barb in the direction of the vent line. Attach locking snap ring to hold valve in the receiver.
4. Attach 1-1/2" vent hose onto hose barb and tighten using hose clamps in accordance with ABYC Fuel System Vent Hose Clamping Standards (H24 Table 3).
5. Replacement of the valve assembly:
 - a. Remove hose.
 - b. Remove locking snap ring.
 - c. Pull out valve assembly.
 - d. Install new assembly into receiver.
 - e. Attach locking snap ring.
 - f. Re-attach hose and tighten in accordance to instruction 4 and check for leaks.

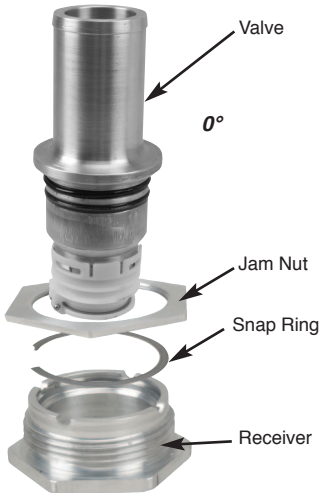


Fig. 0584S0000P

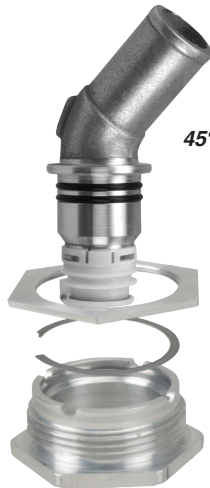


Fig. 0584S4500P



Fig. 0584S9000P

*The above referenced standards can be obtained from:

- (1). American Boat & Yacht Council, Inc.
613 Third Street, Suite 10
Annapolis, MD 21403
- (2). U.S. Coast Guard
Washington, D.C. 20593
(or your local C.G. office)

- (3). E.P.A.
401 "M" Street S.W.
Washington, D.C. 20460